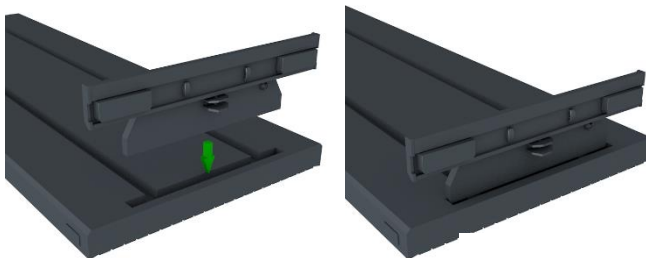


## Bale trailer (Dolly) Instructions.

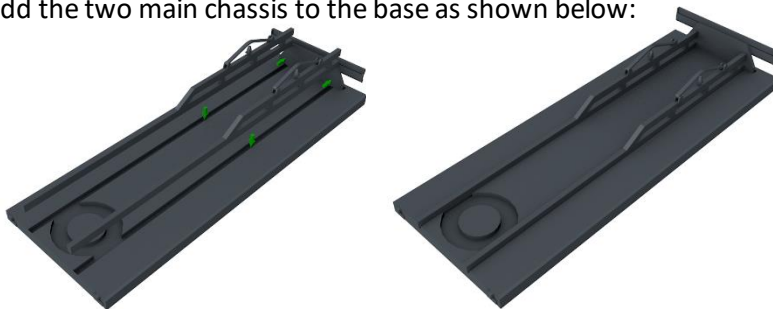


Thank you for purchasing our OO Gauge bale trailer. This is the dolly kit.  
Glue is required for this project; Mitre Fast by Everbuild works great.

Start with the Base and add the rear bumper to the base as shown below:



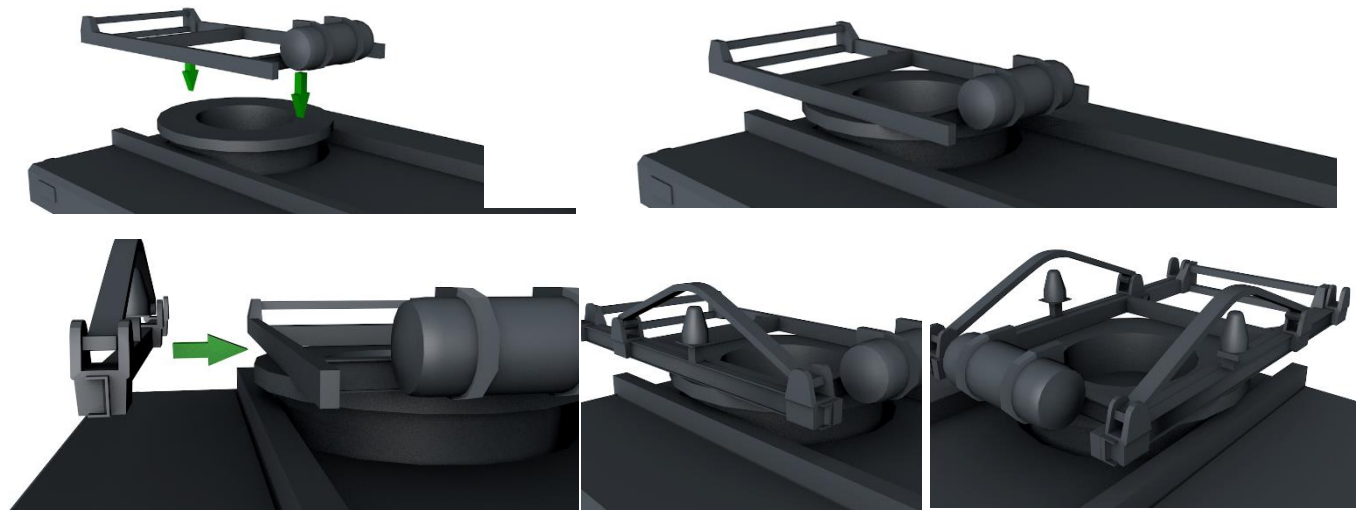
Then add the two main chassis to the base as shown below:



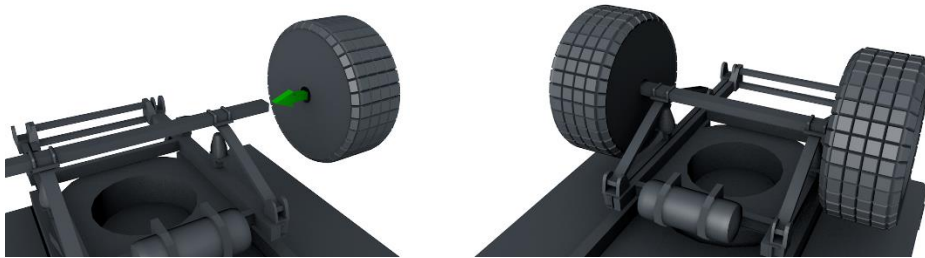
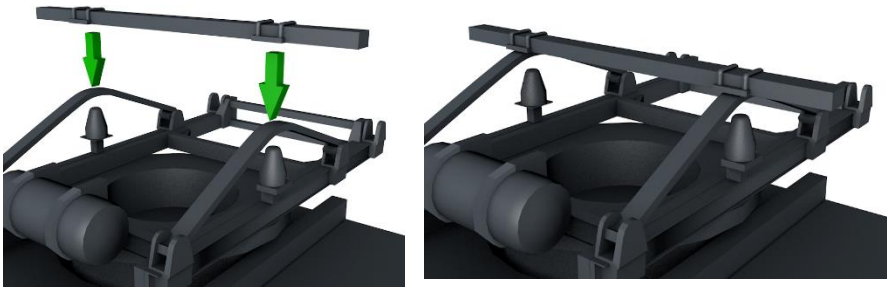
Then add the ring to the base as shown below:



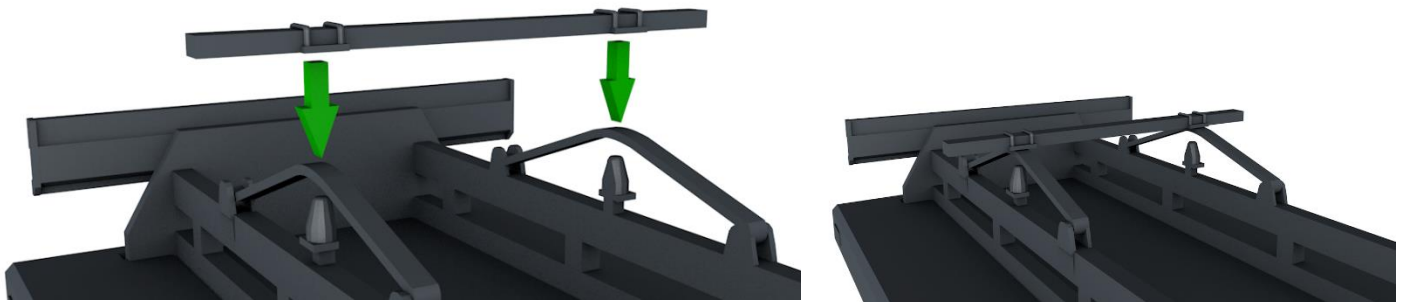
Add the front chassis to the base, then add the front chassis sides and shown in the three images below:



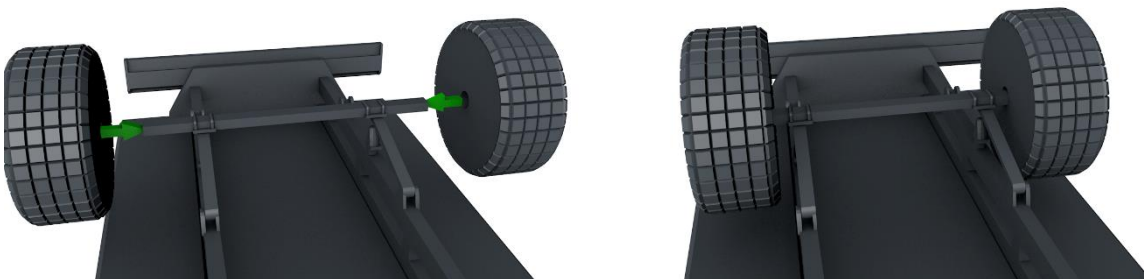
Add the front axle to the front chassis, then add the wheels as shown below:



Then add the rear axle as shown below:



Followed by the rear wheels as shown below:



Moving on to the baler hitch, add the bale hitch as shown, However make sure you position it how you want it before letting the glue set:



Lastly, add the front and rear bale guards as shown below.

