



[www.litprints.co.uk](http://www.litprints.co.uk)

### Dear Customer

Thank you for your purchase and interest in our OO Gauge Wood Trailer. It has been designed to fit together with glue. Use the guide below for assembly.

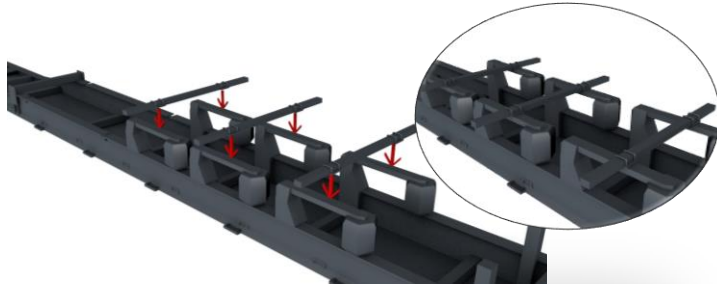
Tools required: Glue, Craft knife (Note: use fast activating glue.)

### ASSEMBLY INSTRUCTIONS.

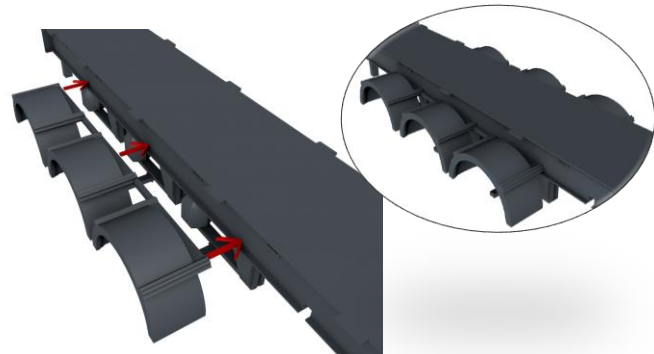
1) Prepare and check kit. Then proceed to build all 4 log holders as shown below on the left below. Then proceed to build the front log guard as seen on the right below.



2) Glue the axles in place as shown below



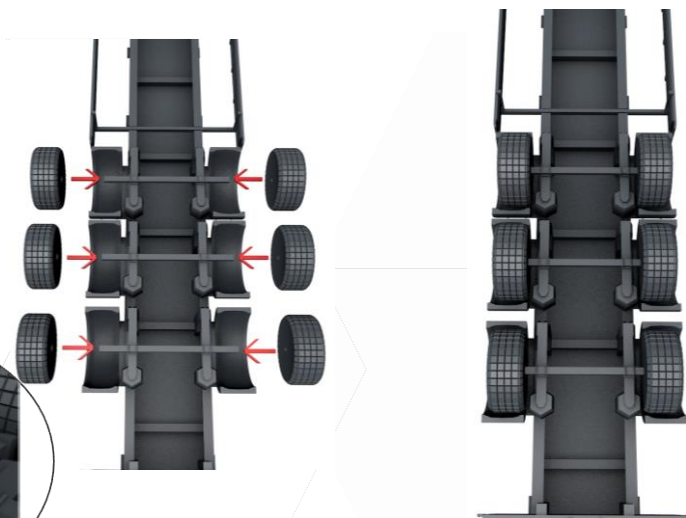
3) Then glue the wheel guard on as shown



4) Glue the undercarriage guard to the frame as shown on the right, then glue the legs in place and shown on the left.



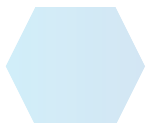
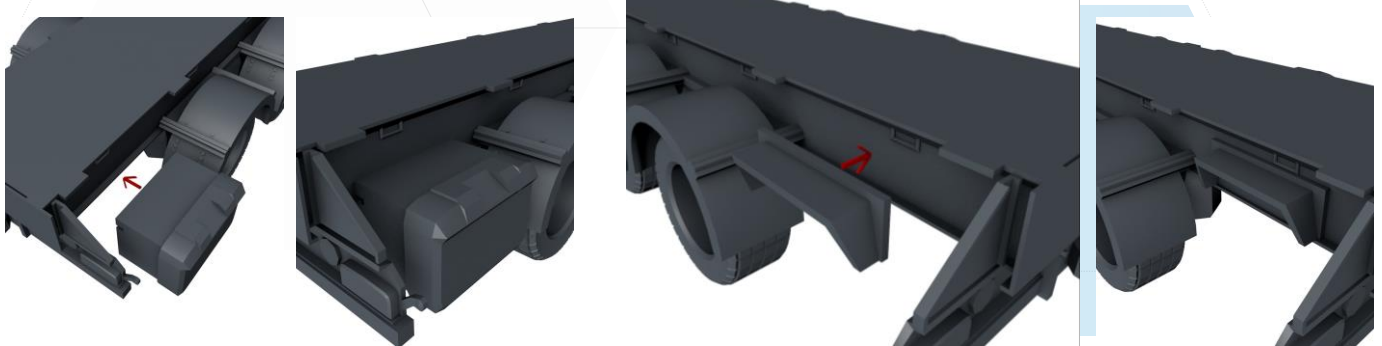
5) slot the wheels onto the axles that were glued to the frame earlier. Once position, slightly pull them out to allow a spot for glue. Then push the wheels back in over the glue and leave to set. Try not to use force or the axle will bend. Sometimes the wheel's slot needs to be enlarged, use a craft knife.



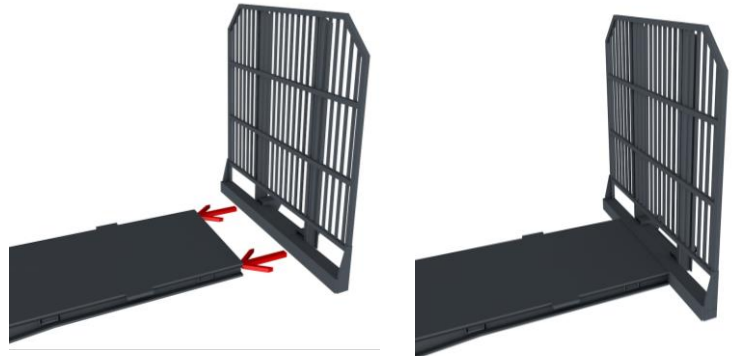
6) Glue the rear bumper in place as shown below:



7) Glue the tool box and control cover into place as shown below. (The two right images are the tool box glued near the back of the trailer) (The two left images are of the control cover also located near the back of the trailer.)



8) Glue the pre-constructed front wood guard to front of the wood trailer as shown on the right. Ensure you have a good alignment when gluing.



9) Finally glue the pre-constructed log holders in the four places shown below.



Contents:



X4 Axle



X4 Log holders A



x1 Tool Box



x1 Control cover



X1 Wood guard A



X1 Wood guard B



X1 Rear bumper



X2 Rear warning panels



X1 Undercarriage guard



X2 Legs



X2 Wheel guards



X6 Tires



X1 Trailer Body



X8 Log holders B

