



[www.litprints.co.uk](http://www.litprints.co.uk)

Contents:  
(Configuration:  
2 ASP Only

2 ASP Hood x4

2 ASP Box x4

Truss x1

Large Handrails x1

Leg base x2

Number Plate x1

Wire Cover x3

Poles and ladders x2 each

X8 LEDs (4 green 4 red) & X12  
Thin Cables



## Dear Customer

Thank you for your purchase and interest in our OO Gauge 4 Track Signal Gantry kit. It has been designed to fit together with glue and to be wired for animated look.

Tools required: Dremel, glue, soldering iron, solder

## ASSEMBLY INSTRUCTIONS.

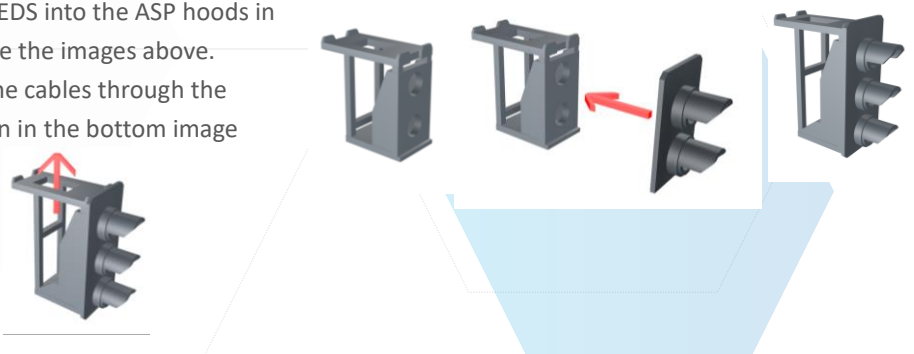
1) First prepare the LEDs for soldering and cabling. Use 3 cables for the 2-light system and 4 cables for the 3-light system.

2) Join the negative prongs to one cable for each set of LEDs, then solder a cable to all the positive Prongs individually. **Note: the long prong on the LED is positive. (3-5V only)**

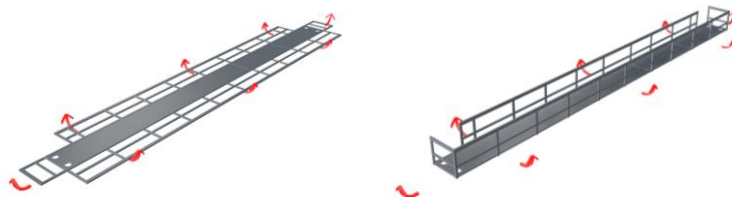


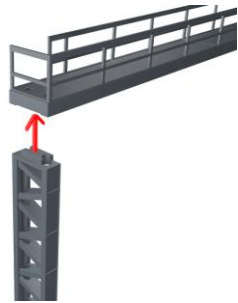
3) Refer to Wire diagram 5V or 12V system document. Once LEDs and cables have been soldered, attach and glue the corresponding ASP Boxes to the ASP hoods as show in the images below:

4) Slot the LEDs into the ASP hoods in the order like the images above. Then feed the cables through the top as shown in the bottom image



5) Fold each rail up and glue the rails together: use a ruler along the folding seems to assist.



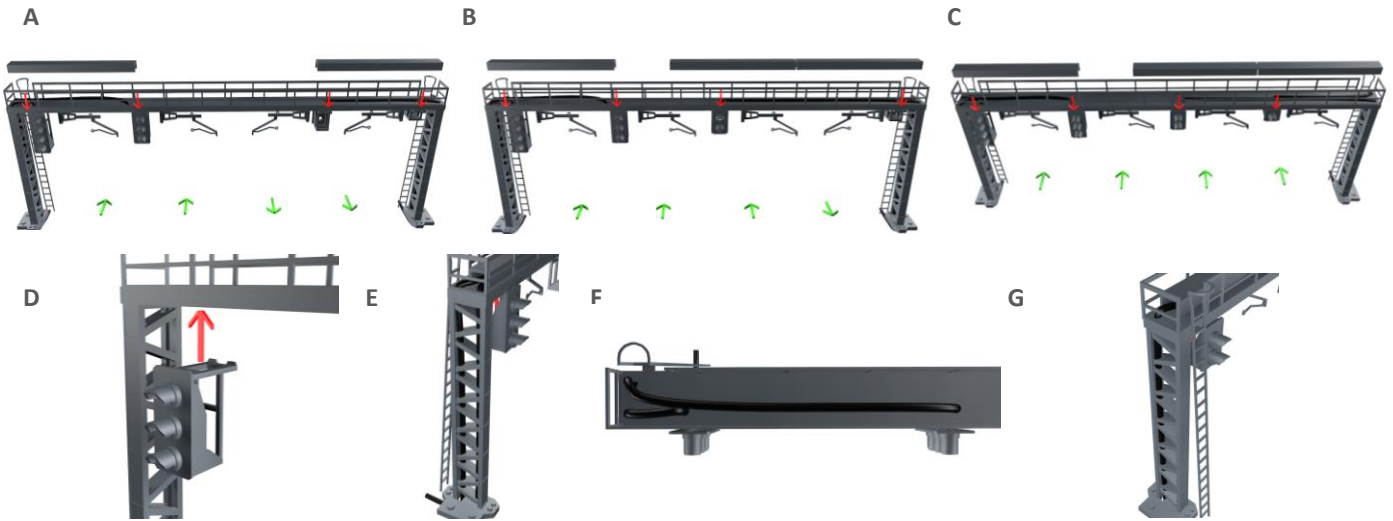


6) Fit and glue walkway onto truss. Then fit and glue legs in place as shown in image on the left.

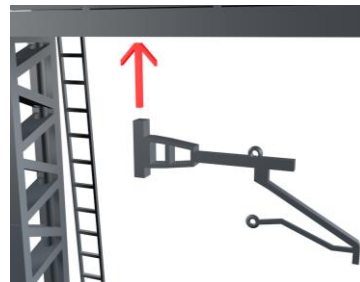
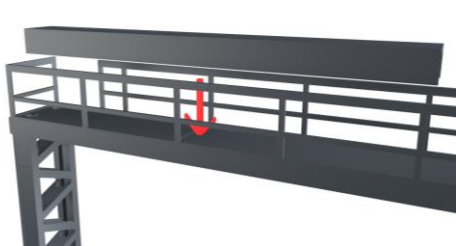
7) Fit and glue feet into place as shown below.



8) Using a Dremel or small drill, make a hole 2-3mm wide through the large handrail floor to make way for cabling coming from the ASP box. Image A to C below shows the different configurations that can be done. Drill in the ASP locations indicated by red arrows, this is also the placement for the ASP boxes that the wires feed into) (Note: Green arrows are track direction) Align, clip and glue the ASP boxes to the truss in a similar fashion as shown in image D. Ensure you feed cable through as seen images E, F & G. Images a-c also show the arrangement of wire covers depending on configuration.



9) Glue the wire covers then catenaries in place as shown (referencing image A to C, Copy the catenary placement shown in your chosen configuration depicted in images A-C.)



10) Lastly Glue the ladders on as shown. (You will need to bend ladder as shown below, heat can be used or it can be done by hand) Place ladders on both sides of the gantry.

