



[www.litprints.co.uk](http://www.litprints.co.uk)

Contents:

Mast x2



Mast base x2



Insulators x4



Arms x2



Auto transformer wire mount x2



## Dear Customer

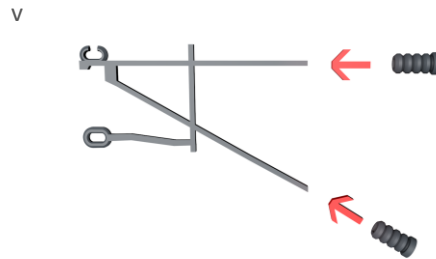
Thank you for your purchase and interest in our OO Gauge OLE Frames.

It has been designed to fit together with ease and be wired for a more dense / busy look.

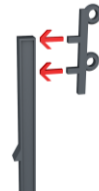
Please review the features and see the guide on how to setup the OLE Frames.

### ASSEMBLY INSTRUCTIONS.

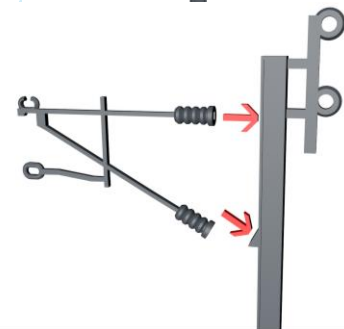
- 1) Mount and glue H Frame masts and base as shown in image.
- 2) Add the insulators to the arms as shown on below.



- 3) Add the auto transformer wire mount as shown on the right. (This is optional).



- 4) Align and glue the Cantilever Arms to the H Frame mast as shown on the right.



\*\* Ensure you have the correct height for your train traffic to fit under. – Ensure you have the Cantilever aligned over your track.

*Please note; This product is not designed to be adjustable afterwards. It is a 'position once' OLE frame.*

