



www.litprints.co.uk

Dear Customer

Thank you for your purchase and interest in our OO Gauge Canal Lock. It has been designed to fit together with glue and can be posed or customized for different looks

Tools required: glue

ASSEMBLY INSTRUCTIONS.

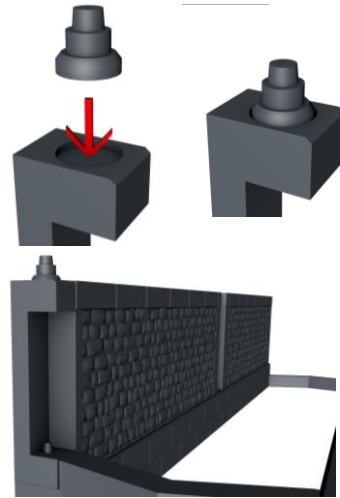
1) First Prepare the canal lock base and walls. Slot then glue together as shown on the right, Then slot and glue the other wall on the opposite side



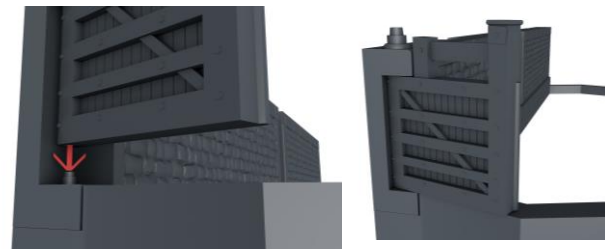
2) Then prepare the canal lock door walls. Glue the pivot point as shown: do this for all four door wall parts.



3) Next fit the door walls to the end of the lock walls as shown on the right: glue the remaining door walls onto the model. Make sure the orientation is correct for each door wall as seen in the image on the right.



4) Once glue has set, slot the doors into the nubs located at the bottom of the door wall. you may need to angle the doors in as you slot them. See far right image for door position.



5) add small rails to door arm as shown in images below:



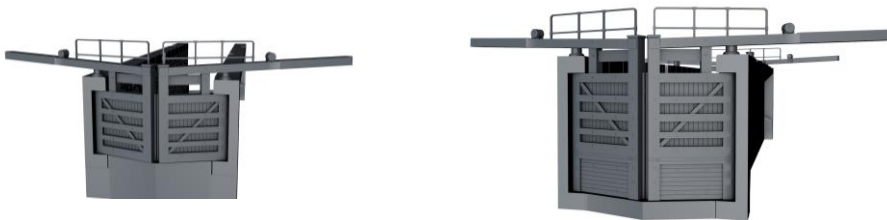
6) Prepare and glue the door arms to the doors as shown below:



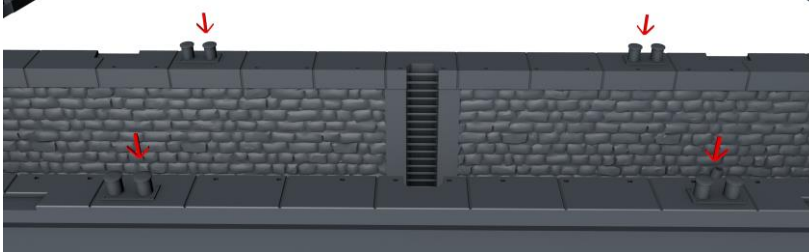
7) Glue the remaining doors into place:

Short doors

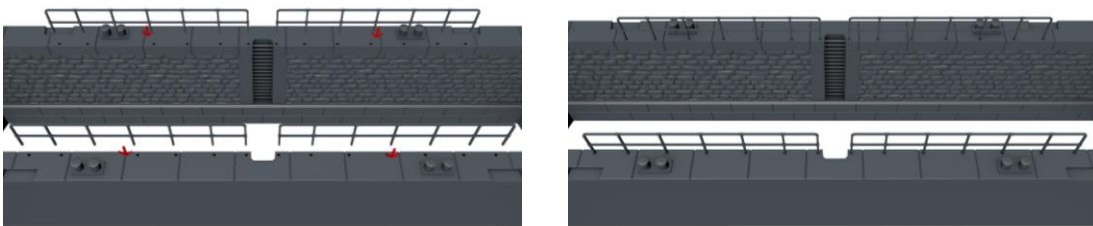
Tall doors



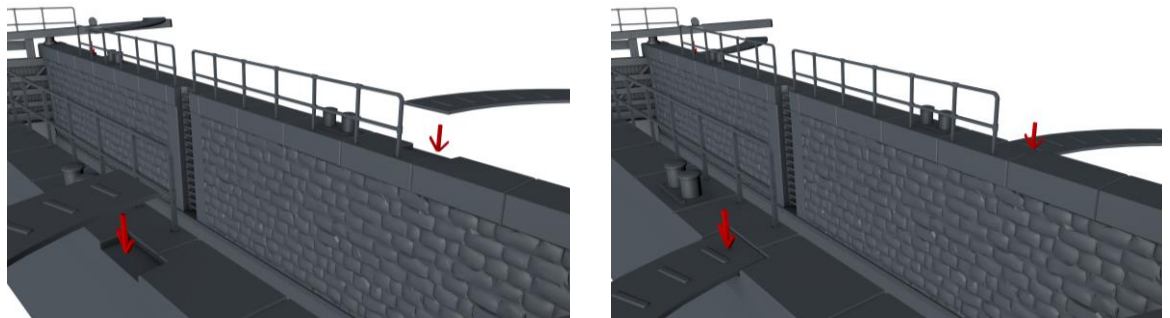
8) Glue the optional mooring bollards into place.



9) Slot and glue the optional railings into place. The walls have slots for the railings. They can be filled in not using.



10) Last step, its best to have the model in place in the layout at this point. You would have the ground level with the tops of the canal walls. This would allow you to add the canal lock footings. They can be glued onto the model once the ground area has been added:



Contents:

Base x1



Canal wall x2



Door wall large x2



Door wall small x2



small door x2



Large door x4



Door arm x4



Pivot point x4



footings x4



Railings x4



Mooring bollards x4



Door arm railings x4

