



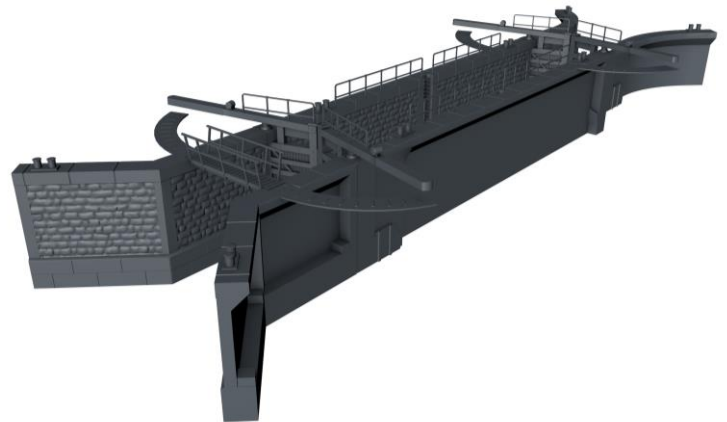
www.litprints.co.uk

Dear Customer

Thank you for your purchase and interest in our N Gauge Canal Lock. It has been designed to fit together with glue and can be posed or customized for different looks

Tools required: glue

ASSEMBLY INSTRUCTIONS.



1) First Prepare the canal lock base and walls. Slot then glue together as shown below: Then slot and glue the other wall on the opposite side.

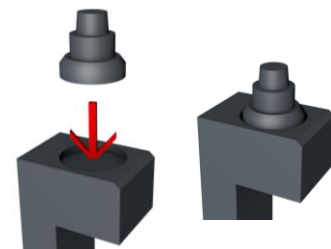


2) Slot the doors into the nubs located at the bottom of the door wall. you may need to angle the doors in as you slot them. See far right image for door position.

Do this for all four doors



3) Then prepare the canal lock door walls. Glue the pivot point as shown: do this for all four door wall parts.



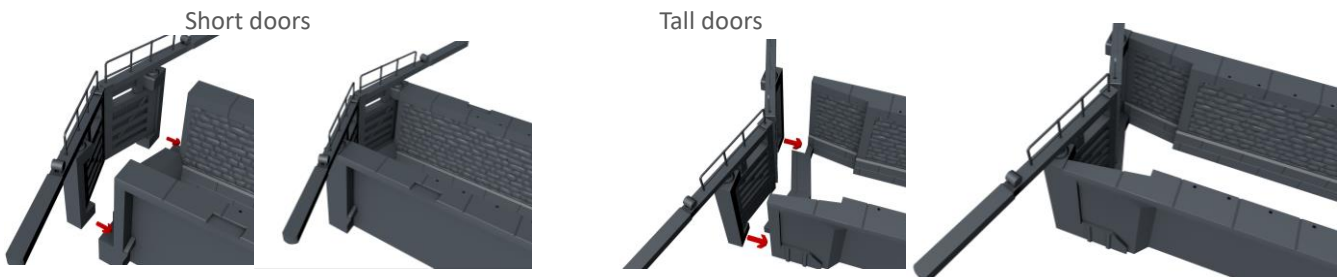
4) add small rails to door arm as shown:



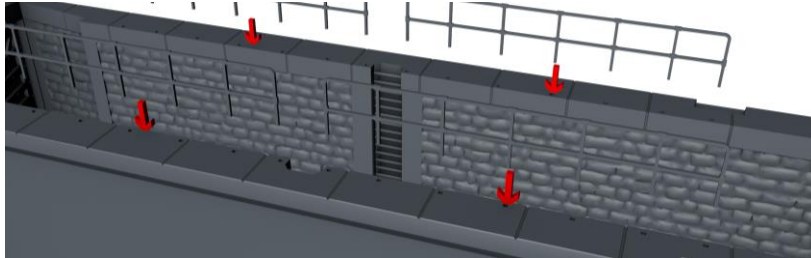
5) Prepare and glue the door arms to the doors as shown below:



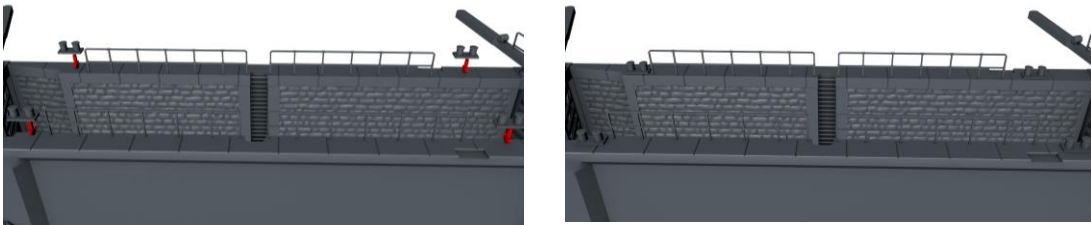
6) Glue the assembled doors on the canal body as shown below:



7) Glue the optional Railings into place. The walls have slots for the railings. They can be filled in if not used.



8) Slot and glue the optional bollards into place.



9) Later on when you fit the canal lock to your layout: You would have the ground level with the tops of the canal walls. This would allow you to add the canal lock footings. They can be glued onto the model once the ground area has been added:



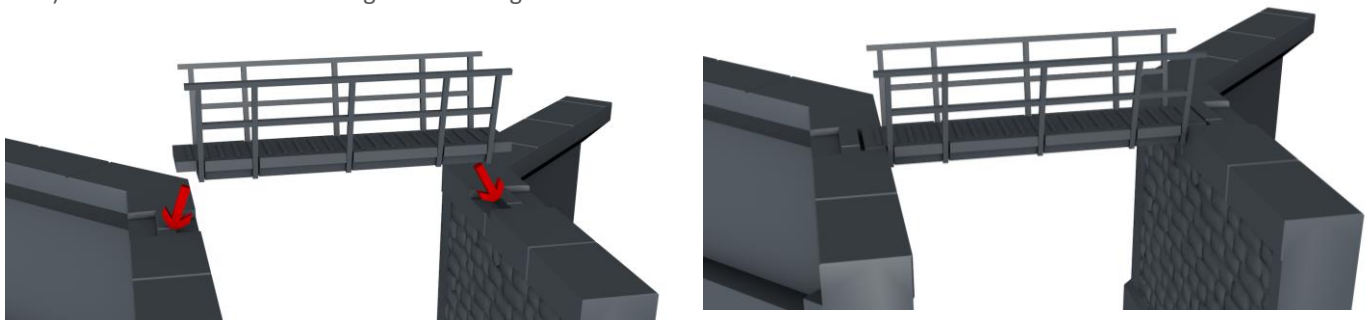
10) Prepare and glue bridge walls to the bridge wall bases as shown below:



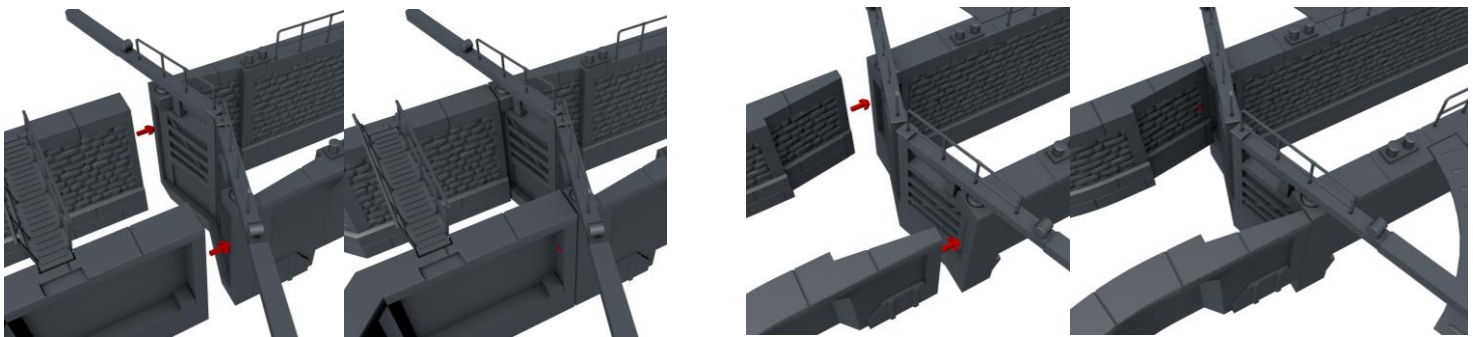
11) Glue the bridge railings on to the bridge base as shown on the right:



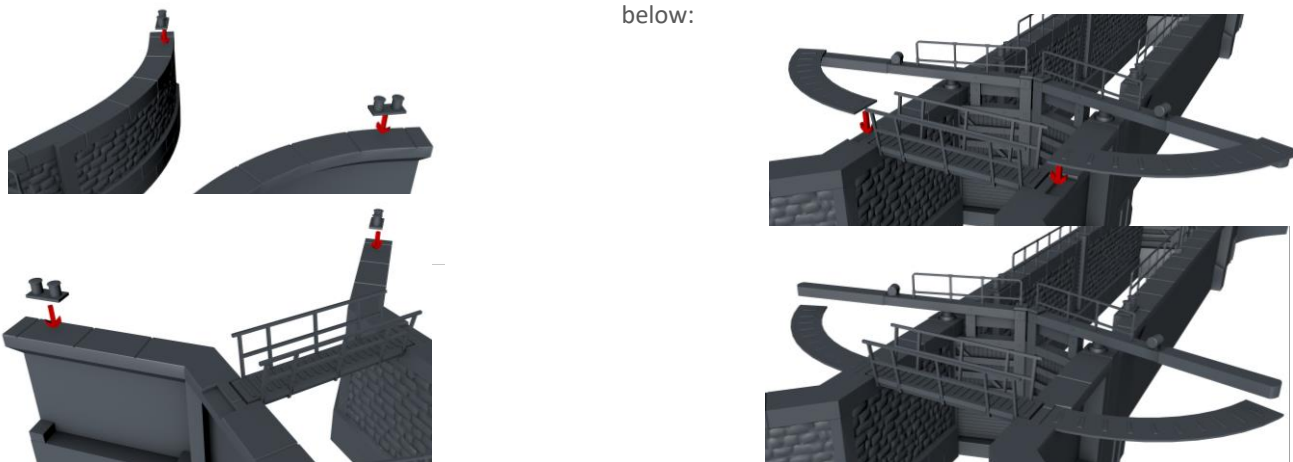
12) Glue and fit assembled bridge to the bridge walls as shown below:



13) Then add both bridge walls and round walls to opposite ends of the canal lock body as shown below:



14) Last step, add the last four bollards to the extension walls and then the last two footings to the Bridge walls as shown below:



Contents:

Base x1



Canal wall x2



Door wall large x2



Door wall small x2



small door x2



large door x2



Door arm x4



Pivot point x4



footings x4



Railings x4



Mooring bollards x8



Door arm railings x4



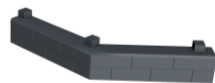
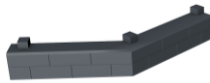
Bridge walls x2



Round walls x2



Bridge walls base x2



Bridge Base x1



Bridge railings x2

